

APPLICATION:

PRODUCT NAME:

8" C/C BACKSPLASH FAUCET  
WITH RIGID GOOSENECK SPOUT

JOB NAME:

\_\_\_\_\_ SPECIAL CONFIGURATION  
CHECK BASE MODEL AND OPTIONS

QUANTITY:

ITEM NO.

MODEL:

- 13307 WITH 12" RIGID GOOSENECK SPOUT
- 13293 WITH 6" RIGID GOOSENECK SPOUT

OPTIONS OR MODIFICATIONS:

- SUPPLY LINES (24" OR 36") CIRCLE LENGTH
- ELBOWS
- HANDLES (CROSS OR WRIST) CIRCLE STYLE
- VANDAL RESISTANT KIT
- OTHER \_\_\_\_\_

FEATURES

CONTROL VALVE

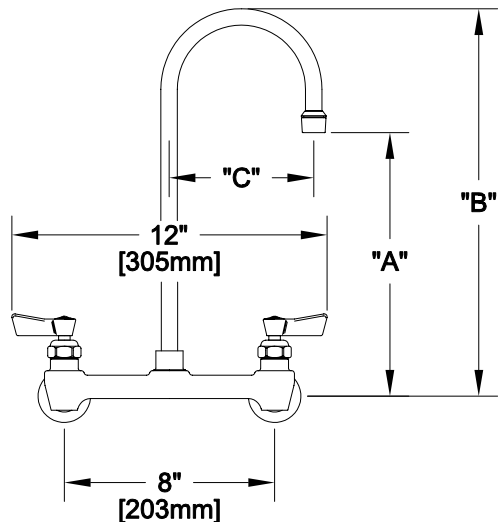
- \* 8" C/C BACKSPLASH MOUNT
- \* HOT SIDE STEM - RIGHT HAND
- \* COLD SIDE STEM - LEFT HAND
- \* SWIVELLING SEAT DISKS
- \* STAINLESS STEEL SEATS
- \* STAINLESS STEEL SEAT SCREWS
- \* STAINLESS STEEL HANDLE SCREWS

SYSTEM LIMITS

- \* TEMP: 40°F MIN. TO 140°F MAX.
- \* PRESSURE: 200 PSI MAX. STATIC
- \* 2.20 GPM AT 80 PSI

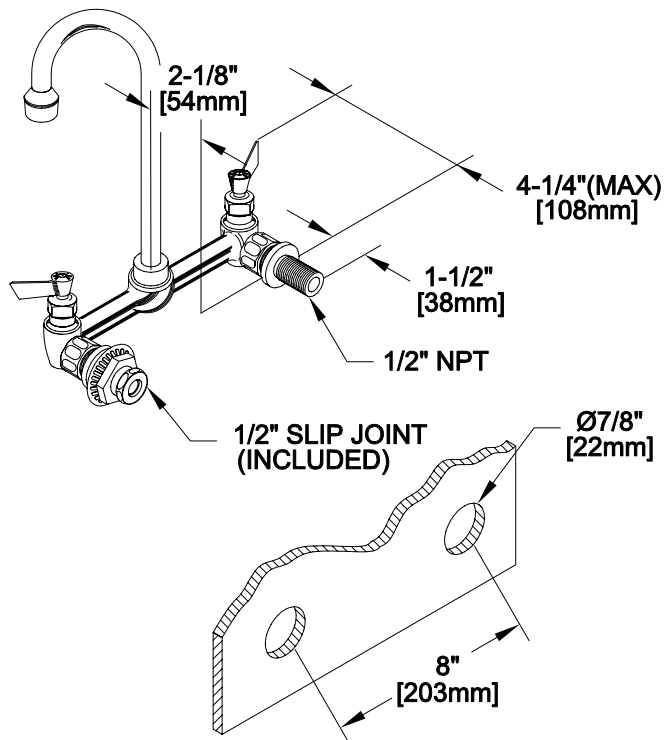
SHIPPING WEIGHT

- \* 5.0 LBS



MODEL	DIM "A"	DIM "B"	DIM "C"
13307	8-1/4" [210mm]	12-1/4" [311mm]	5-1/2" [140mm]
13293	4-1/2" [114mm]	8-1/16" [205mm]	3-1/2" [89mm]

ROUGH-IN:



ANSI/A112.18.1M

**FISHER**

FISHER MANUFACTURING COMPANY

TOLL FREE: 800-421-6162 - FAX: 800-832-8238

information@fisher-mfg.com - www.fisher-mfg.com